

(No Model.)

W. F. FLEHARTY.

KITE.

No. 368,525.

Patented Aug. 16, 1887.

Fig. 1.

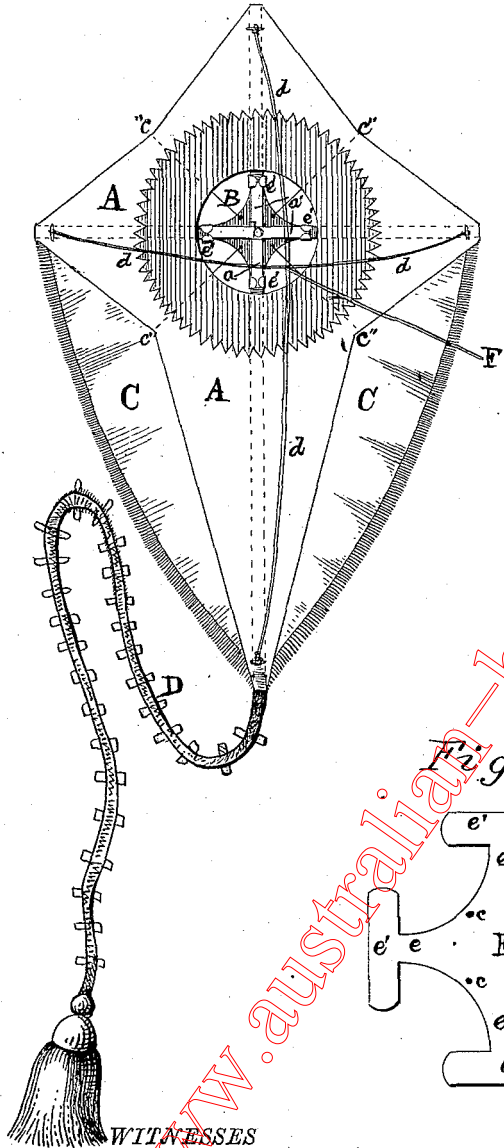


Fig. 2.

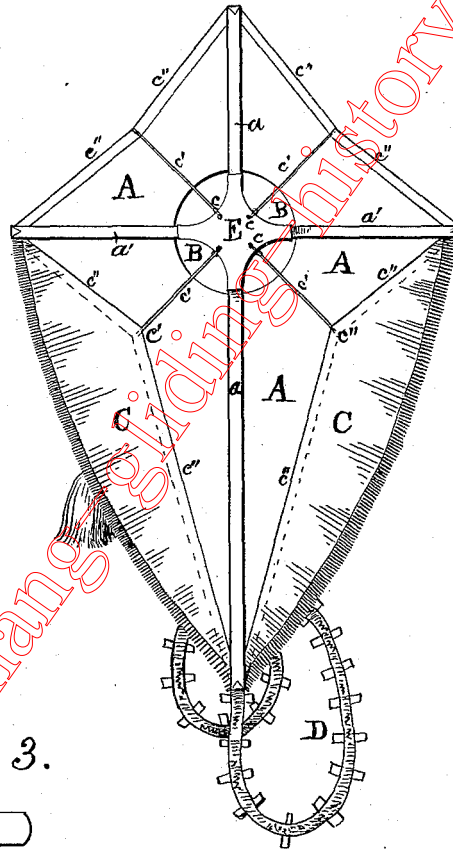
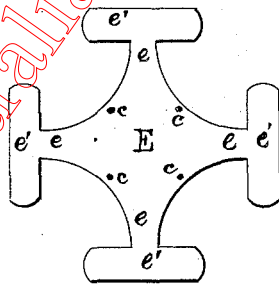


Fig. 3.



WITNESSES

The^d Houghton.
A. G. Heyburn.

INVENTOR

Wm. F. Fleharty
 Per. *Wm. R. Singleton*
 Attorney

UNITED STATES PATENT OFFICE.

WILLIAM FRANKLIN FLEHARTY, OF NORWALK, OHIO, ASSIGNOR OF ONE-HALF TO JOHN W. MYERS, OF SAME PLACE.

KITE.

SPECIFICATION forming part of Letters Patent No. 368,525, dated August 16, 1887.

Application filed February 18, 1887. Serial No. 228,052. (No model.)

To all whom it may concern:

Be it known that I, WILLIAM FRANKLIN FLEHARTY, a citizen of the United States, residing at Norwalk, in the county of Huron and State of Ohio, have invented a new and useful Improvement in Kites, of which the following is a specification, reference being had to the accompanying drawings.

This invention relates to improvements in the construction of flying-kites, which will be hereinafter more fully described, and pointed out in the claim.

In the accompanying drawings, forming part of this specification, Figure 1 is a front view, and Fig. 2 is a rear view, of the kite. Fig. 3 represents a blank cut from a sheet of tin.

A represents the paper or fabric of which the main part of the kite is composed. In the upper and widest part of the body of the kite A is a circular opening, B, around which is a re-enforcing annular piece made of a different-colored material from that of the main body A, to form a pleasing contrast.

C C are two wings, which are secured to the edges of the main body A, the color of which may be made to contrast with that of the body A, and on which may be represented any designs or advertising-cards. The tail D is supplied in the ordinary manner to steady the kite when flying. The frame of the kite is formed by the upright rod *a* and cross-rod *a'* at right angles thereto, which rods are notched together at *b*. A center piece, E, is formed of

sheet-tin, as represented in Fig. 3, having four arms, *e*, with T ends *e'*. These T ends *e'* are to be bent over the rods *a a'*, as shown in the opening of Fig. 1 at *e*, thus firmly bracing the crossed rods where they are joined together, as in Fig. 1. The back of the center piece, E, is shown in Fig. 2.

c c c c are holes in the center piece, E, in which brace-cords *c'* are fastened, and which are also fastened to and brace the outside cords, *c''*, secured in the edges of the body fabric of the kite. *d d d d* are the loop-cords, to which the flying-line F is attached, and by which the angle of the kite to the vertical line is adjusted.

The wings C C may be fringed on the outer edge, as shown in the drawings.

I claim—

A kite constructed with a frame of rods transverse to each other and braced by a center piece made of sheet metal, as described, having arms with T ends *e'* bent over the arms, and holes *c* therein, the brace-cords *c'*, connected therewith and also with the exterior cords, *c''*, and the wings C C, all substantially as and for the purpose described.

In testimony that I claim the foregoing as my own invention I hereto affix my signature 60 in presence of two witnesses.

WILLIAM FRANKLIN FLEHARTY.

Witnesses:

E. GOLDEN,
J. W. MEYERS.