



US006905096B1

(12) **United States Patent**
Tabor et al.

(10) **Patent No.:** **US 6,905,096 B1**
(45) **Date of Patent:** **Jun. 14, 2005**

(54) **KITE WITH PLANAR AERODYNAMIC SURFACE**

(76) Inventors: **Don Tabor**, 556 Florence St., Imperial Beach, CA (US) 91932; **Francis A. Alonso**, 30765 Pacific Coast Hwy. #300, Malibu, CA (US) 90265

(*) Notice: Subject to any disclaimer, the term of this patent is extended or adjusted under 35 U.S.C. 154(b) by 0 days.

(21) Appl. No.: **10/734,045**

(22) Filed: **Dec. 11, 2003**

(51) Int. Cl.⁷ **B64C 31/06; A63H 27/08**

(52) U.S. Cl. **244/153 R; D21/445**

(58) Field of Search 244/153 R, 154, 244/155 R; 446/199; D21/445

(56) **References Cited**

U.S. PATENT DOCUMENTS

606,960 A *	7/1898	Doyle	244/153 R
666,427 A	6/1901	Lamson	
770,626 A	9/1904	Graham	
1,927,835 A *	9/1933	Kellogg	244/154
2,035,730 A	3/1936	Trevor	244/22
2,124,992 A	9/1938	Wood	244/154
2,240,881 A	5/1941	Bradford	244/154
2,386,762 A	10/1945	Wheelwright	244/153
2,537,560 A	1/1951	Wanner	244/153
2,744,701 A	5/1956	Robey	244/153
2,827,252 A	3/1958	Pohl	244/154

3,018,075 A	1/1962	Bowers	244/153
3,039,722 A	6/1962	Eustis	244/153
3,076,626 A	2/1963	Andrews	244/154
3,098,634 A	7/1963	Finklea	244/153
3,276,730 A	10/1966	Cleveland	244/153
3,305,198 A	2/1967	Sellers, Jr.	244/153
3,327,975 A	6/1967	Vaughan	244/153
3,468,503 A	9/1969	Snibbe	244/153
3,494,578 A	2/1970	Cureton	244/153
3,920,201 A *	11/1975	Battles	244/16
3,937,426 A	2/1976	Pearce	244/153
4,076,189 A	2/1978	Powell	244/153
4,198,019 A	4/1980	Ljencmajer	244/123
4,450,784 A *	5/1984	Mellinger	114/39.26
4,655,720 A *	4/1987	Renger et al.	446/61
4,807,832 A	2/1989	Tabor	244/153
4,815,681 A	3/1989	Crowell	244/153
5,098,039 A	3/1993	Linden	244/153
5,127,611 A	7/1992	Payne	244/153
5,328,134 A	7/1994	Powers	244/155
5,573,208 A	11/1996	Cassagnes	244/153
5,833,174 A	11/1998	Knight	244/155
6,003,816 A	12/1999	Lee	244/153
6,062,510 A	5/2000	De La Melena	244/153

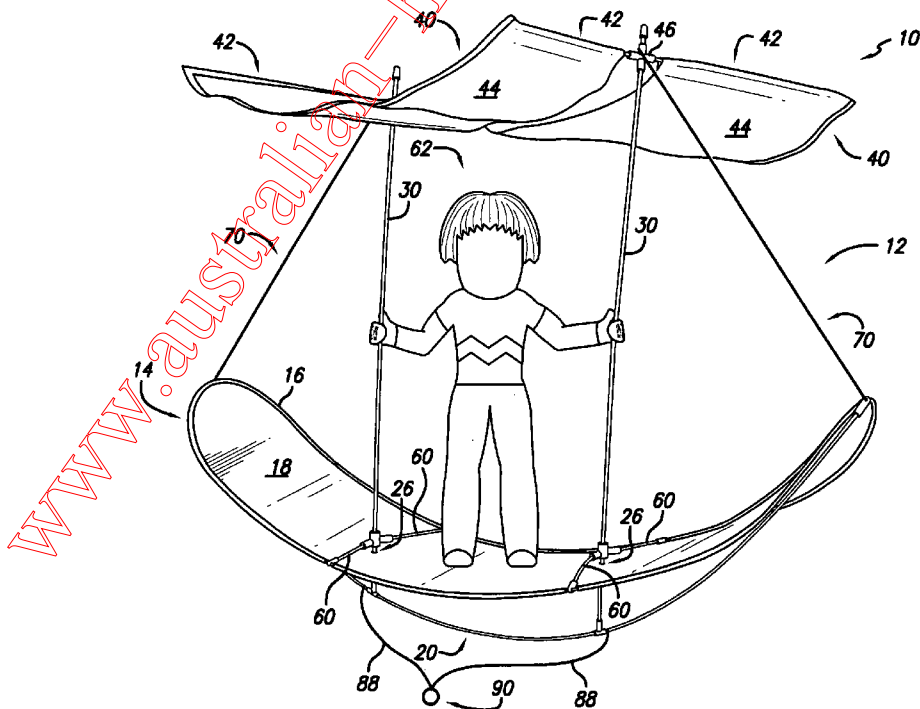
* cited by examiner

Primary Examiner—Robert P. Swiatek
(74) Attorney, Agent, or Firm—Louis J. Bachand

(57) **ABSTRACT**

A kite system including a base, a substantially exposed substructure coupled to the base to flex the base, and one or more masts and sails coupled to the base.

25 Claims, 7 Drawing Sheets



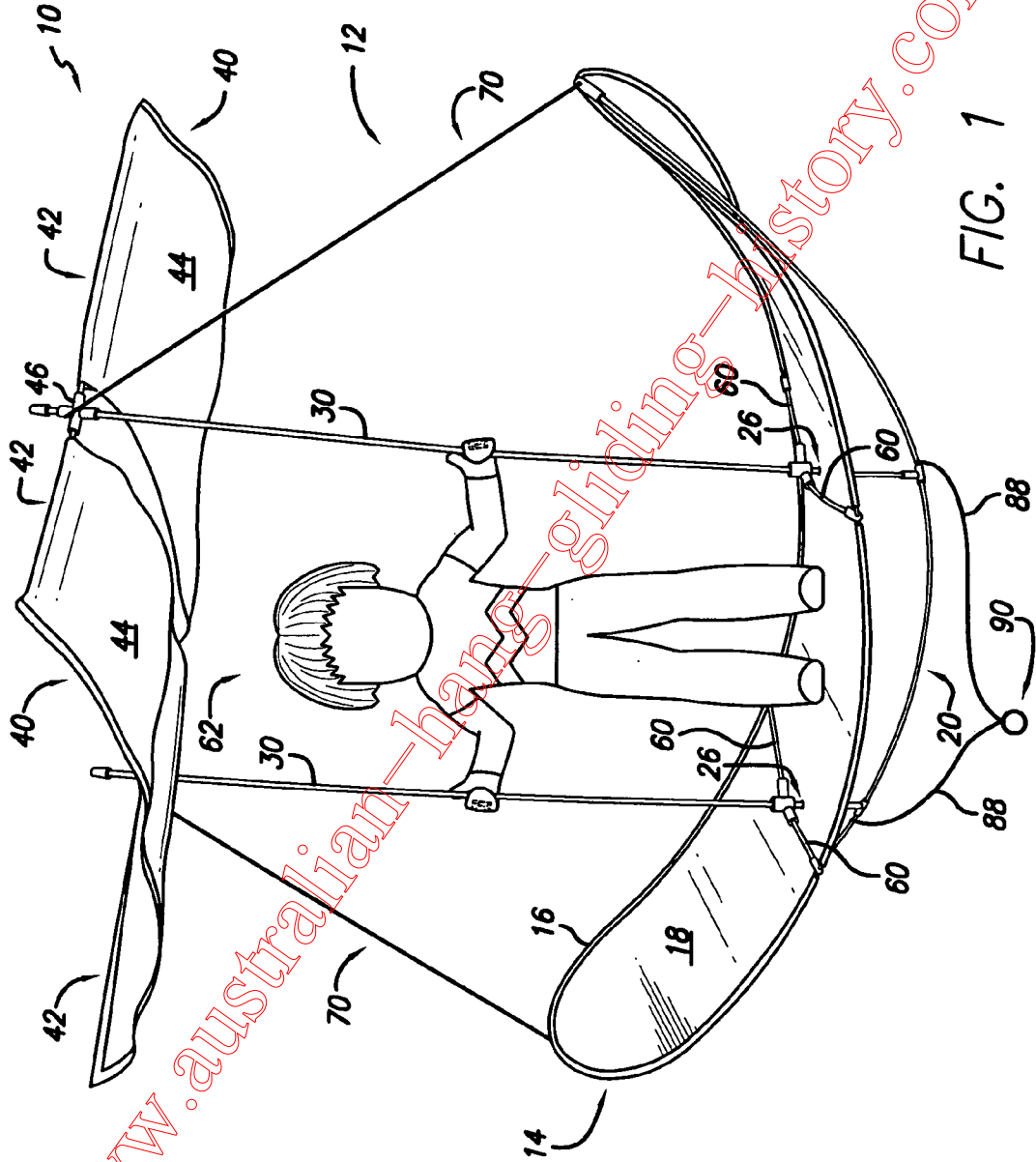
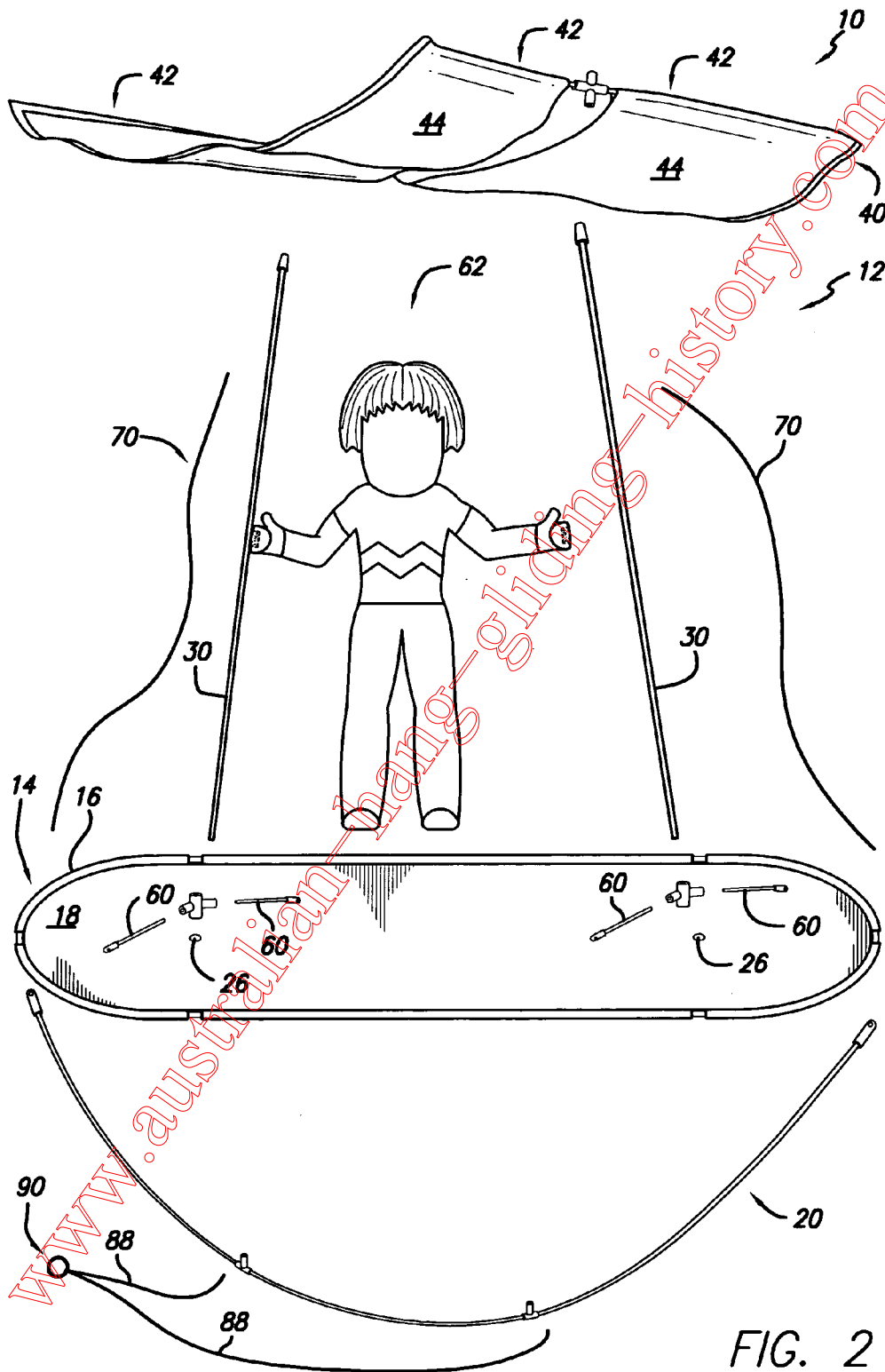


FIG. 1

www.australian-hang-gliding-history.com



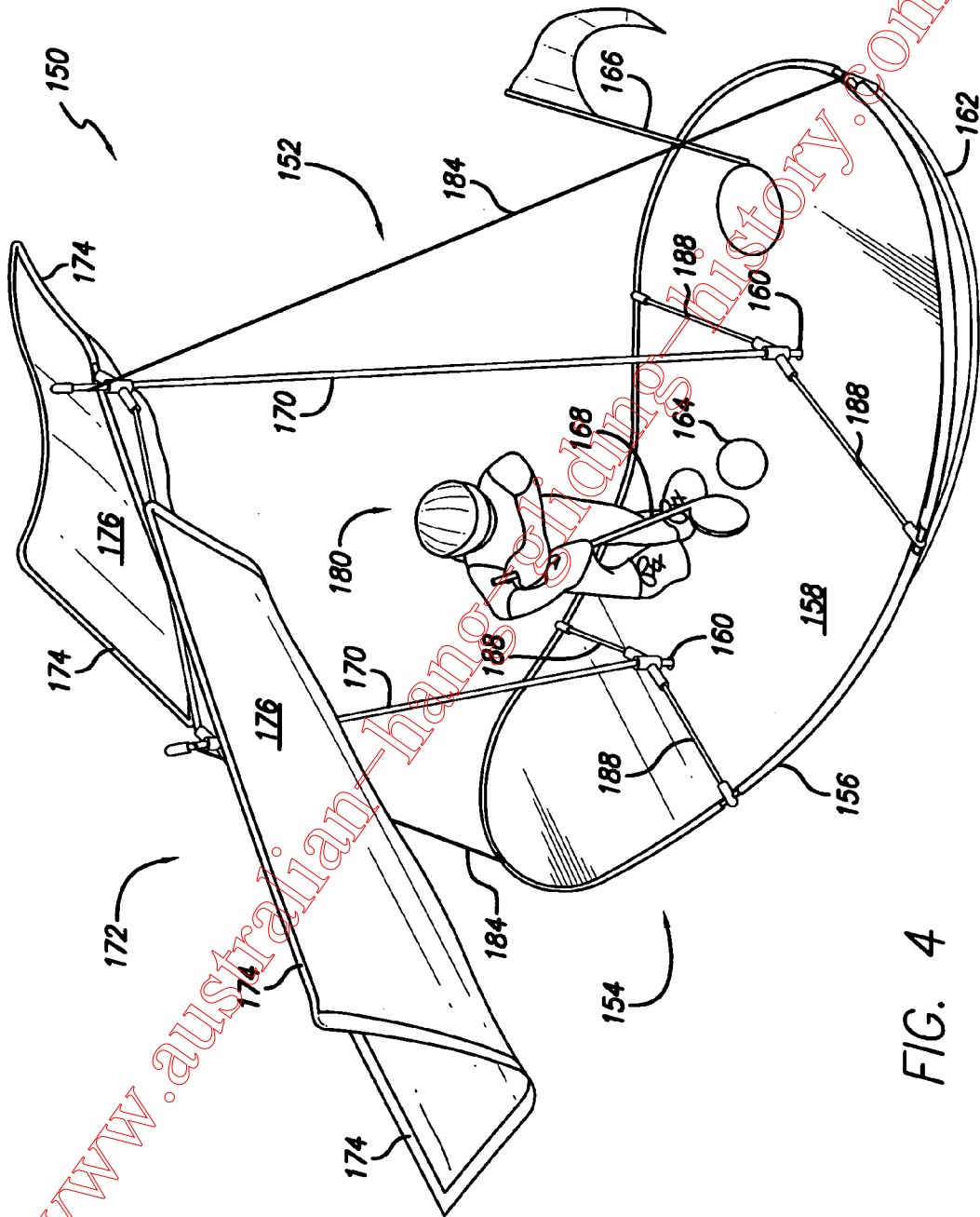


FIG. 4

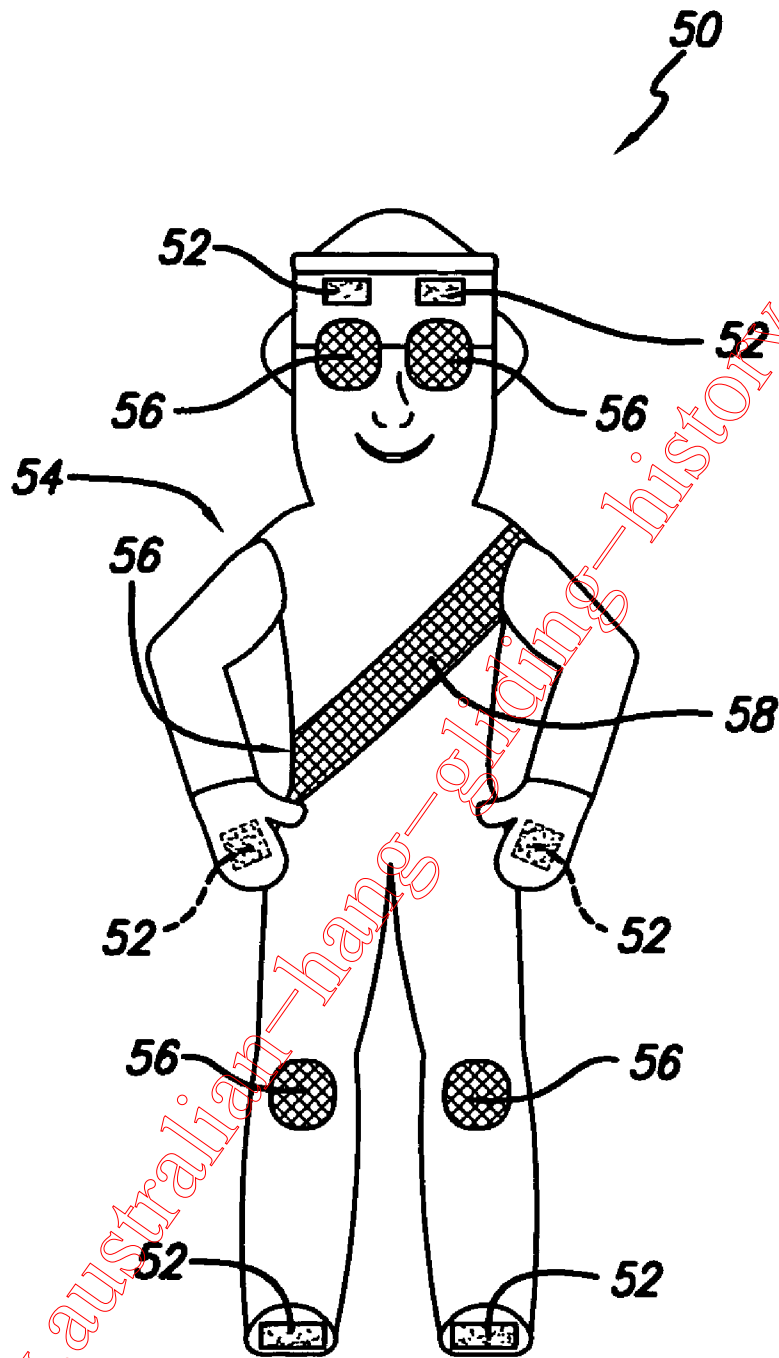


FIG. 5

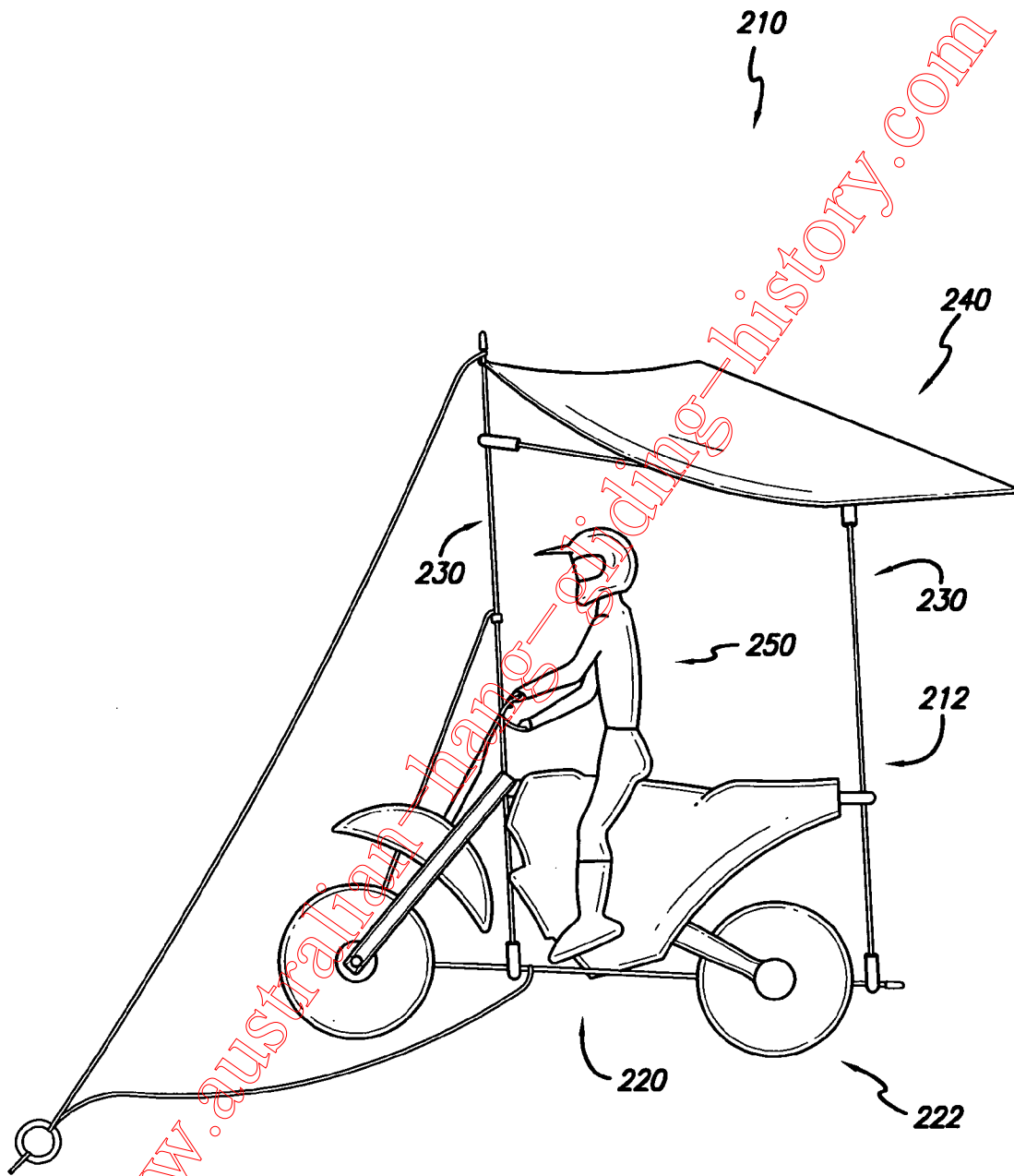


FIG. 6

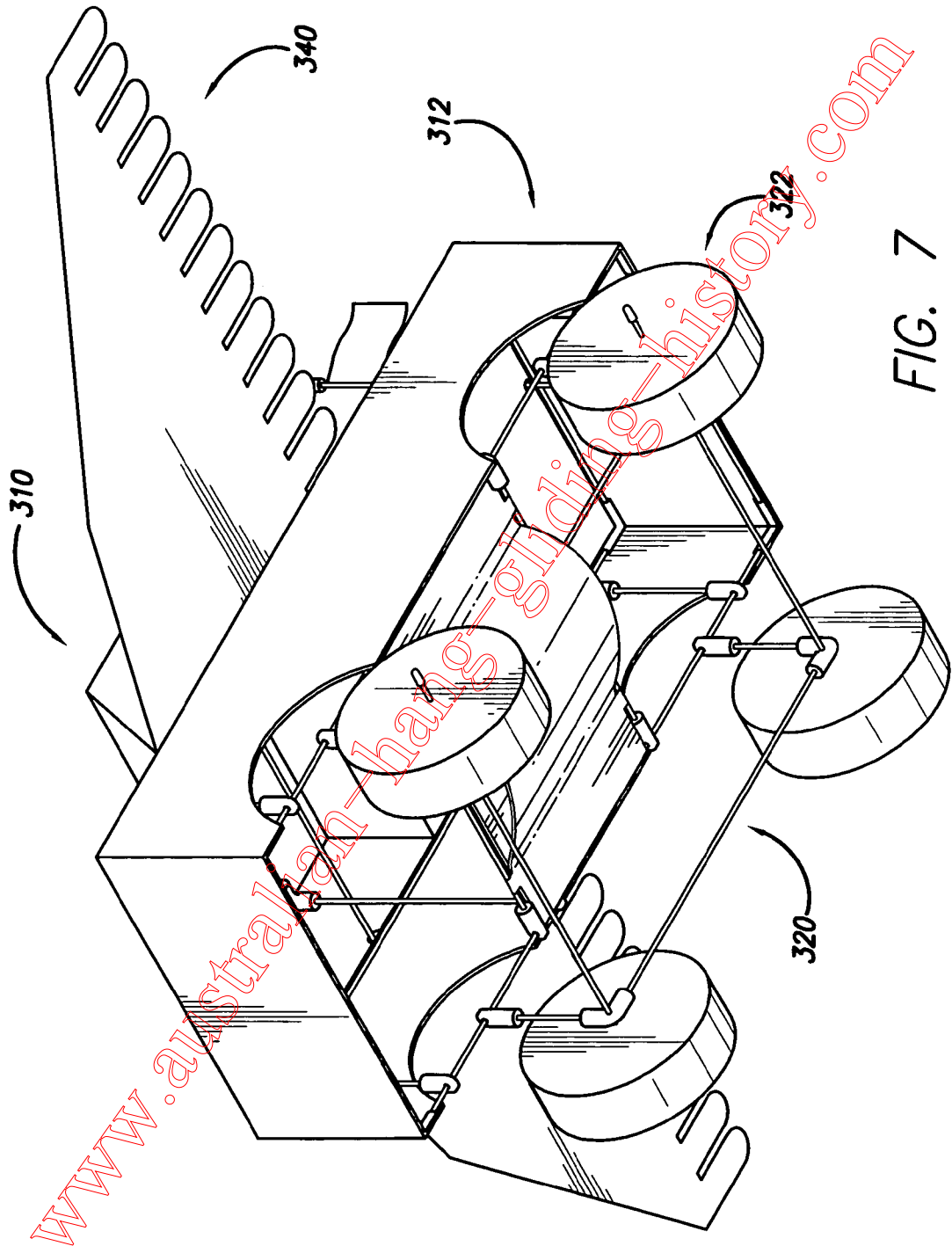


FIG. 7

KITE WITH PLANAR AERODYNAMIC SURFACE

BACKGROUND

The popularity of kites has boomed in recent decades, and novelty kites are particularly in demand since many consumers want kites that are unique, that stand out from the rest of the kites, and that constitute a personalized expression that consumers want to make.

Very few flying toys include a substructure and make it appear as though the flying toy is imitating the movements of a similar real world device and/or person. Even fewer may include a toy human figure or other weighted mass suspended from the toy that change the flight characteristics of the toy and imitate the movements of a real person would appear on a similar real-world device.

SUMMARY

A kite system including a base, a substantially exposed substructure coupled to the base, and one or more sails coupled to the base, is provided.

Furthermore, the kite system may include a ballast that may be configured to be selectively, positionally couplable to the kite system, and may move relative to the kite during flight. The ballast may be in the form of a human, an animal, a fanciful creature, or even an inanimate object.

In an exemplary embodiment, the kite system may be similar to a surfer and surfboard or sailboard. According to another exemplary embodiment, the kite may be similar to the form of a vehicle with wheels, such as a skateboard and skateboarder. In another exemplary embodiment, the flying toy may be similar to the form of a golf putting green with a golfer.

BRIEF DESCRIPTION OF THE DRAWINGS

FIG. 1 is a perspective view of a flying toy in the form of a sailboard kite, including a sub-structure and ballast in accordance with one exemplary embodiment.

FIG. 2 is an exploded view of the kite of FIG. 1.

FIG. 3 is a perspective view of a flying toy in the form of a skateboard kite according to an exemplary embodiment.

FIG. 4 is a perspective view of a flying toy in the form of a golf putting green and golfer kite according to an exemplary embodiment.

FIG. 5 is a perspective view of a ballast according to an exemplary embodiment.

FIG. 6 is a perspective view of an exemplary embodiment.

FIG. 7 is a perspective view of an exemplary embodiment.

DETAILED DESCRIPTION

The detailed description set forth below in connection with the appended drawings is intended as a description of exemplary embodiments of the invention and is not intended to represent the only forms in which the present invention may be constructed and/or utilized. The description sets forth the functions and the sequence of steps for constructing and operating the invention in connection with the illustrated embodiments. However, it is to be understood that the same or equivalent functions and sequences may be accomplished by different embodiments that are also intended to be encompassed within the spirit and scope of the invention.

FIG. 1 shows a flying toy system according to one exemplary embodiment, generally at **10**. System **10** may include a kite portion **12** and ballast **62** coupled to the kite portion **12**. Kite portion **12** may include a base **14**, masts **30** that are coupled to the base **14**, and sails **40** that may be coupled to masts **30**. Base **14** may include a frame **16** that may be coupled to an inner body portion **18** to form base **14**. Base **14** may be formed such that it may be folded to reduce its size for shipping, storage, and display.

Furthermore, sails **40** may be detachable from the system, and foldable for ease of transportation, packaging, shipping storage and display. With this configuration, the system may be enclosed in a smaller package, such that more can be shipped at one time and retailers would be more likely to carry the product.

System **10** also may include a substructure **20** that may be configured to couple to base **14** at opposite ends of base **14**, such that the kite portion may be stabilized for flight, and such that the flight characteristics may be changed. Substructure **20** also may couple to masts **30**, which may extend through inner body portion **18** of base **14** to further stabilize the system. Masts **30** may couple to base **14** or may pass through orifices **26** in body portion **18**, as desired. Substructure **20** may be configured to flex base **14**, and may alter the flight characteristics of the system.

Kite portion **12** further may include rigging **70** that may be coupled to masts **30** and base **14**. Rigging **70** may provide tension to bend, flex or alter the configuration of base **14**, and may also be utilized to stabilize the system. Rigging **70** may be coupled to base **14** at opposite sides, near where substructure **20** is coupled, such that they may be similar to real world mast stays. However, it will be appreciated that rigging **70** may be coupled to masts or other portions of base **14** such as the sides, such that they may be similar to shrouds of a real sailing vessel. Rigging **70** may be made out of string, rope, or other material that may be utilized for this purpose. Rigging **70** and/or substructure **20** may flex base **14** in varying amounts to change the flight characteristics of the system, as desired.

System **10** may further include sails **40**, which may include poles **42** that may be coupled to a sail portion **44** and also coupled to masts **30** via a mast connector **46**. Sails **40** may provide lift for the system and add to the aesthetic appearance of the system. Although two sail portions are shown, it will be appreciated that any number of sails may be utilized, as desired, including one or more sail portions **44**. Masts **30** may be plastic rods, but may be made of other materials, as desired. Masts **30** may couple to sails **40**, extend through base **14**, and connect to substructure **20** via a rubber-like connector, or other connector such as those used in kite making. However, it will be appreciated that other connection-methods and structures may be utilized as desired.

Kite portion **12** also may include lateral supports **60** that may couple to masts **30** and to base **14**. Lateral supports **60** may connect to base **14** on opposite sides and masts **30** between lateral supports **60**, however, other configuration may be utilized, as desired. Lateral supports **60** may couple to masts **30** via lightweight rubber-like connectors, or other connectors. However, it will be appreciated that other methods of coupling lateral supports to masts and to base may be utilized, as desired.

Base **14** may be configured such that it may be folded or otherwise made into a smaller configuration such that it will take up less space in packaging, shipping, storage and display.

Additionally, the system **10** may have string segments **88** which may be approximately 10–30 inches in length, which may connect to the front and rear of the substructure, however, they may also connect to other portions of the system, as desired. The string segments may be joined at a common point, which may include a connecting structure **90** as shown in the figure, for connection to a third long string (not shown) held by the user. Connecting structure **90** is shown as a ring-type connector, however, it will be appreciated that other connecting structures may be utilized, as desired. It will be appreciated, however, that other configurations and materials may be utilized, as desired.

System **10** also may include a ballast **62**, which may be selectively positionally couplable to kite portion **12**. Ballast **62** is removably, selectively, positionally coupled to kite portion **12** to alter the appearance, and the flight characteristics of the entire system, when in flight. Ballast **62** may be coupled to kite portion **12** above base **14**; however, other configurations may be utilized, as desired. Ballast **62** may also move continually or intermittently when in flight, thereby changing the flight characteristics of the system **10**. The flight characteristics include, but are not limited to, the center of gravity, the altitude and direction the kite is flying, and the airspeed of the kite, among others.

This configuration may therefore make the system imitate a real world surfer and surfboard riding on water, bouncing over waves, and the like. Ballast **62** also may include coupling structures that allow it to couple to itself or the kite in many different positions throughout the system. With this configuration, ballast **62** may be coupled to the kite portion **12** in many different positions and configurations to alter the appearance and the flight characteristics of the system when in flight, as desired. The coupling structures **52** may be located at many positions on the surfaces of ballast **62**. For example, FIG. **5** illustrates coupling structures **52** located on the hands and feet, as well as other locations of a ballast **50** in the form of a human windsurfer. The present invention also contemplates many other forms of the ballast and many other locations for the coupling structures **52**, such as in the seat area of a human or animal figure for the effect of emulating sitting, or the back area for emulating a soaring effect by the figure. Kite portion **12** may be made from nylon, fabric, and plastic and rubber-like compounds, but also may be made from other materials, as desired.

FIG. **2** shows an exploded view of the flying toy system of FIG. **1** generally at **10**. Again, system **10** may include a ballast **62** and a kite portion **12**. System **10** may again include sails **40** which may include poles **42** which may be sewn into the body of sail portions **44**. Poles **42** may couple to masts **30** and to sails **44**.

System **10** also may further include rigging **70** that may be coupled to masts **30** and/or sails **40**. Kite portion **12** again may include a base **14** which may be made up of a frame **16** and a body portion **18**. Masts **30** may extend through orifices **26** and body portion **18** and may couple to a substructure **20**. Substructure **20** again may provide stability and may provide a force that bends, flexes or deforms base **14** along with rigging **70**. This may change the flight characteristics of the overall system and may be modified, as desired.

System **10** also may include lateral supports **60** that may be coupled to masts **30** and to base **14** at frame **16**. Lateral supports **60** may provide support for the overall system and may add rigidity and strength to alter the flight characteristics also.

In this exemplary embodiment, ballast **62** is in the form of a human or surfer, and may be coupled at many points of the system, as desired.

System **10** also may include string elements **88** that may be coupled to the base structure or substructure or other location of system **10** such that they may connect to connecting structure **90** that may be configured to couple to a kite string held by the user.

FIG. **3** depicts another exemplary embodiment of a flying toy system generally at **100**. System **100** may include a kite portion **102** and a ballast **130**, similar to an earlier exemplary embodiment. System **100** may again include a base **104**, which may include a frame **106** and a body **108**. Masts **120** may be coupled to sails **122** and extend through orifices **110** in body **108** and couple to substructure **112**. In this embodiment, system **100** may include wheels **116**, which may couple to substructure **112** and/or to masts **120**, such that the system looks similar to a skateboard with sails, or the like.

Sails **122** again may include poles **124**, which may be coupled to sail portions **126**. Poles **124** may couple to sail portions **126** by being hemmed into them, however other configurations may be utilized, as desired. Sails **122** may also couple to masts **120**, which may provide lift for the entire system.

System **100** also may include rigging **134** that may be coupled to masts **120** and base **104**, but may be coupled to other portions of the system including sails, and the like. System **100** may further include lateral supports **138**, which may couple to masts **120** and to frame **106** and may add stability to the system.

Wheels **116** may be for ornamental purposes, and/or may change the flight characteristics of the system. Furthermore, configurations other than wheels may be utilized to enhance the functionality and aesthetics of the system, as desired. Ballast **130** may be in the shape of a human, such as a longhaired skateboarder dude, but may be other forms, as desired.

FIG. **4** is an exemplary embodiment of a flying toy system, shown generally at **150**. System **150** may include a kite portion **152** and a ballast **180**. System **150** further may include a base portion **154**, which may include a frame **156** and a body **158**. In this exemplary embodiment, the base takes the form similar to a putting green with ballast **180** being similar to that of a golfer. Further included in this embodiment are a club **168**, a ball **164**, and a flag **166** simulating a golf club, golf ball, and a flag stick, respectively. It will be appreciated that these novelties may be other forms depicting other sporting equipment and playing fields, and the like. System **150** also may include sails **172**, which may include poles **174** and sails **176**, which may be coupled to the other. Sails may be coupled to masts **170**, which may extend through orifices **160** and may connect to substructure **162**.

Again, substructure **162** and rigging **184** may be utilized to provide flexure to the base and add stability to the overall system, such that desirable flight characteristics may be achieved. System **150** also may include a base portion **154**, which may include a frame **156** and a body **158**, similar to previous embodiments. System **150** also may include lateral supports **188** which may couple to masts **170** and to frame **156** to add stability and support for the overall system.

FIG. **5** is a ballast **50** according to an exemplary embodiment. Ballast **50** may include coupling structures **52** located at various portions of ballast **50**. Coupling structures **52** may be hook-and-loop coupling structures such that they may couple to themselves and each other, and they may couple to other coupling structures located throughout the system. With this configuration, ballast **50** can be coupled in an infinite number of positions to simulate the movements of an actual sailboarder, skateboarder, golfer, or the like.

Ballast **50** may include a shell **54** and mesh portions **56** such that air will pass through mesh portions **56** to inflate the ballast **50** when in flight. Ballast **50** also may include fill material **58** on the interior of shell **54** that may assist in keeping the shape of ballast **50** when not inflated.

Shell **54** may be configured to catch air, to deflect air, and to change the characteristics of the ballast **50**, and consequently the flight characteristics of the overall system when in flight. Mesh portion **56** may allow air to pass through to inflate ballast **50** and to allow shell **54** to deflect air. In this figure mesh portions **56** are shown as the eyes and near the knees of the human-like figure, as well as a sash running across the chest of the human figure. It will be appreciated that other configurations may be utilized to change the characteristics of ballast **50**, and the system, as desired.

The figure, as shown in FIG. 1, alternatively may be constructed not to include a mesh portion. The ballast or figure may be configured in part or entirely of a flexible material and filled with a fill material that will allow the ballast to keep its shape without resorting to mesh air-intake portion. This embodiment may be configured to allow a substantial amount of air to pass through it to inflate the ballast.

Ballast **50** may include coupling structure **52** that may allow it to couple to kite portion **12** in many different positions and locations. Coupling structure **52** may be a hook-and-loop configuration such that it may couple to itself or to the kite portion, such that ballast **50** may be coupled around, or to, any portion of the system **10**. It will be appreciated, however, that other coupling structures may be utilized, as desired. It will also be appreciated that, although certain locations on ballast **50** for coupling structure **52** are shown in FIG. 4, numerous locations for coupling structure **52** may be utilized, including most or all of ballast **50**, as desired. For example, the hands of the figure may be coupled at low points of the kite, such that the figure appears to be bending. Additionally, the figure may be formed with slightly bending knees to more closely resemble the form of a human operating a sailboat, sailboard, skateboard, or the like.

Ballast **50** may be made of lightweight material such as nylon, plastic, or rubber-like materials, that are flexible, but may also be rigid, or partially rigid, or combinations thereof. With this configuration, ballast **50** may be connected at certain points of ballast **50** to kite portion **12** such that the remainder of ballast **50** will move continually or intermittently during flight of the system with respect to kite portion **12**. Furthermore with this configuration, different points of ballast **50** may be connected to numerous different points of kite portion **12**, as desired. The ballast **50** may include slightly bent knees and may be approximately 12–20 inches tall and may have average head and body diameters of approximately 1–4 inches, and weigh about 0.4–2.0 ounces. However, it will be appreciated that the present invention equally contemplates systems and elements that are other sizes, including but not limited to, fractions of an inch to many feet in size, as desired.

Ballast **50** also may include fill material **58** to add weight to the system as well as to keep the form of ballast **50**. Fill material is typically foam, or other lightweight fill material. It will be appreciated that other materials may be utilized such as cotton, feathers, or synthetic filling, typically used for stuffing plush animals, pillows, and the like, which may aid in maintaining the shape of ballast **50**, as desired.

The size and weight of the ballast may be comparable to that of the kite and/or system, such that the ballast may be weighted sufficiently to affect the flight characteristics of the

kite, whereby movement of the ballast during flight and/or wind effects on the ballast itself may cause significant changes in the kite's flight characteristics.

FIG. 6 is an exemplary embodiment of a system, which may be of the likeness of a motorcycle and rider, generally at **210**. System **210** may include a kite portion **212** and a ballast portion **250**. Here the system may be in a form similar to a motorcycle and rider. Similarly, the system may be in the form of a bicycle, unicycle, Segway-type device, or other device with, or without a rider. Kite portion **212** may include sails **240** and masts **230**, which may provide stability and lift for the system.

System **210** may include substructure **220**, which may be all, partially or not exposed. System **210** may include wheels **222**, which may alter the flight characteristics of the system, and/or may add to the aesthetic appeal of the system. Furthermore, substructure **220** may add stability to the system, which may allow the system to operate better and more consistently.

Ballast **250** may be in the form of a rider, but could be other configurations as desired. Ballast **250** may or may not include mesh, which may alter the characteristics of the ballast and system, as desired.

FIG. 7 is an exemplary embodiment of a system, which may be of the likeness of a pickup truck, generally at **310**. System **310** may include a kite portion **312**. Here the system may be in a form similar to a large pickup truck or monster truck, with or without a driver/rider. It will be appreciated that the system may be in the form of a other vehicles, including, but not limited to, sports cars, race cars, classic cars, other type of truck, and the like. Kite portion **312** may include sails **340**, which may provide stability and lift for the system.

System **310** may include substructure **320**, which may be all, partially or not exposed. System **310** may include wheels **322**, which may alter the flight characteristics of the system, and/or may add to the aesthetic appeal of the system. Furthermore, substructure **320** may add stability to the system, which may allow the system to operate better and more consistently.

It will be appreciated that although the system is shown as a boat, sailboard, golf green, motorcycle and rider or other vehicles, many other designs may be utilized, as desired. Besides being in the form of a human, the ballast may also be in the form of an animal, fanciful or whimsical creature, or inanimate object. Furthermore, the kite itself may be in the form of various vehicles and other objects, including fanciful vehicles and objects, which may incorporate a figure including a ship, airplane, car, monster truck, surfboard, snowboard, skateboard, house, etc. Additionally, more than one ballast in accordance with the exemplary embodiments may be attached to a single kite and/or system.

While the examples described herein illustrate a ballast positioned above or atop the surface of the kite, it should be understood that embodiments wherein a ballast(s) are positioned below the kite surface are also contemplated by the present invention. Such embodiments may be advantageous in that the figure may be more readily seen by viewers on the ground, including the user. Additionally, a flexible figure in accordance with the exemplary embodiments may be attached to other flying toys such as gliders, and the like, as desired.

In closing, it is to be understood that the exemplary embodiments described herein are illustrative of the principles of the present invention. Other modifications that may be employed are within the scope of the invention. Thus, by way of example, but not of limitation, alternative configura-

rations may be utilized in accordance with the teachings herein. Accordingly, the drawings and description are illustrative and not meant to be a limitation thereof.

What is claimed is:

1. A kite system, comprising:
a kite portion; and
a ballast portion coupled to said kite portion that moves with respect to said kite portion;
said kite portion comprising a base and a partially exposed substructure coupled to said base;
wherein said partially exposed substructure flexes said base.
2. The kite system of claim 1, wherein said kite portion further comprises:
one or more masts coupled to said base portion; and
one or more sails coupled to said one or more mast portions.
3. The kite system of claim 2, wherein said kite portion further comprises one or more lateral supports coupled to said one or more masts and said base.
4. The kite system of claim 3, further comprising rigging coupled to said base and to said one or more masts.
5. The kite system of claim 1, wherein said base comprises:
a frame; and
a body portion coupled to said frame.
6. The kite system of claim 1, wherein said base is in a form similar to a surfboard.
7. The kite system of claim 1, wherein said base is in a form similar to a skateboard.
8. The kite system of claim 1, wherein said base is in a form similar to a golf putting green.
9. The kite system of claim 1, wherein said base flexing by said partially exposed substructure causes said base to resemble a real-life configuration.
10. The kite system of claim 1, wherein said ballast portion comprises:
a shell portion; and
fill material located within said shell portion.
11. The kite system of claim 10, wherein said ballast portion further comprises one or more coupling structures configured to couple to themselves and to said kite portion.
12. The kite system of claim 10, wherein said ballast portion further comprises one or more mesh portions coupled to said shell portion configured to allow air to pass therethrough to the interior of said ballast.
13. The kite system of claim 1, wherein said ballast portion is coupled to said kite above said base.
14. The kite system of claim 1, wherein said ballast portion is removably, selectively, positionally coupled to said kite portion.

15. The kite system of claim 1, wherein said ballast portion moves periodically or intermittently with respect to said kite portion when in flight.

16. The kite system of claim 1, wherein said ballast portion is a human-like form.

17. The kite system of claim 1, wherein said ballast portion is an animal-like form.

18. The kite system of claim 1, wherein said ballast portion is a whimsical form.

19. A kite system, comprising:

a kite portion including a base, a partially exposed substructure coupled to said base; and

a ballast portion comprising a shell, fill material within said shell and one or more coupling structures configured to couple said ballast portion to said kite portion for periodic or intermittent movement relative to said kite portion in flight.

20. A method of using a kite system comprising a kite portion, including coupling a substantially exposed substructure to said kite portion in flight stabilizing relation; and maintaining a ballast portion comprising a shell portion and a fill material within said shell portion attached to said kite portion that moves relative to said kite portion in flight.

21. A kite system, comprising:

a kite portion having a base resembling a truck; and
a partially exposed substructure coupled to said base in flexing relation;

wherein said substructure comprises four or more rods and wheel-like devices arranged to appear as truck wheels supported by said substructure rods.

22. The kite system of claim 21, further comprising wings coupled to said base.

23. A kite system, comprising:

a kite portion; and

a ballast portion coupled to said kite portion that moves with respect to said kite portion;

wherein said kite portion comprises a partially exposed substructure coupled to a base; and

wherein said partially exposed substructure flexes said base, such that said base imitates a real-world configuration.

24. The kite system of claim 23, further comprising wings coupled to said base directly above said base.

25. The kite system of claim 23, wherein said substructure is a single element.

* * * * *