



US00D481764S

(12) **United States Design Patent** (10) **Patent No.:** **US D481,764 S**
Tabor (45) **Date of Patent:** **** Nov. 4, 2003**

(54) **TWO-DIMENSIONAL VERSATILE KITE**

5,240,448 A * 8/1993 Ishikawa 446/64
5,403,221 A * 4/1995 Savage 446/45

(76) Inventor: **Don Tabor**, 556 Florence St., Imperial Beach, CA (US) 91932

* cited by examiner

(**) Term: **14 Years**

Primary Examiner—Ted Shooman

Assistant Examiner—C Tuttle

(21) Appl. No.: **29/175,837**

(74) *Attorney, Agent, or Firm*—Cislo & Thomas LLP

(22) Filed: **Feb. 10, 2003**

(57) **CLAIM**

(51) **LOC (7) Cl.** **21-01**

The ornamental design for a two-dimensional versatile kite, as shown and described herein.

(52) **U.S. Cl.** **D21/445**

DESCRIPTION

(58) **Field of Search** D21/436, 445;
D11/165, 168; 446/34, 49, 61, 487, 490;
244/153 R

FIG. 1. Is a perspective view of my two-dimensional versatile kite design;

FIG. 2. Is a bottom view thereof;

FIG. 3. Is a top plan view thereof;

FIG. 4. Is a front elevational view thereof;

FIG. 5. Is a rear elevational view thereof; and,

FIG. 6. Is a right side view thereof, the left side view being identical thereto.

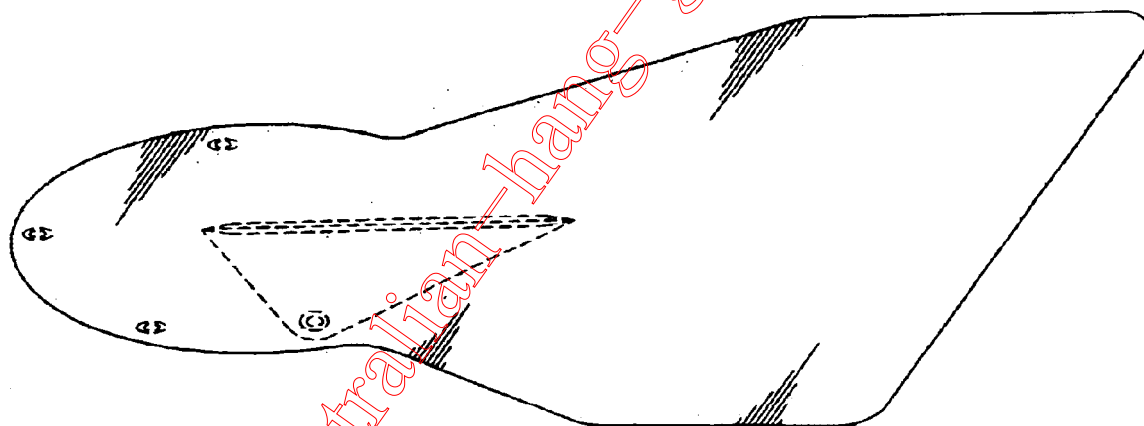
The structures shown in broken lines are for illustrative purposes only and form no part of the claimed design.

(56) **References Cited**

U.S. PATENT DOCUMENTS

D60,610 S * 3/1922 Elsey D20/22
2,588,293 A * 3/1952 Roe 244/153 R
3,128,974 A * 4/1964 Teague, Jr. 244/153 R
D225,653 S * 12/1972 Kupperman et al. D21/445
4,119,283 A * 10/1978 De Yarman 244/153 R
D286,862 S * 11/1986 Yu D11/141
D309,758 S * 8/1990 Stolk D21/445

1 Claim, 5 Drawing Sheets



www.australian-hang-slides.com

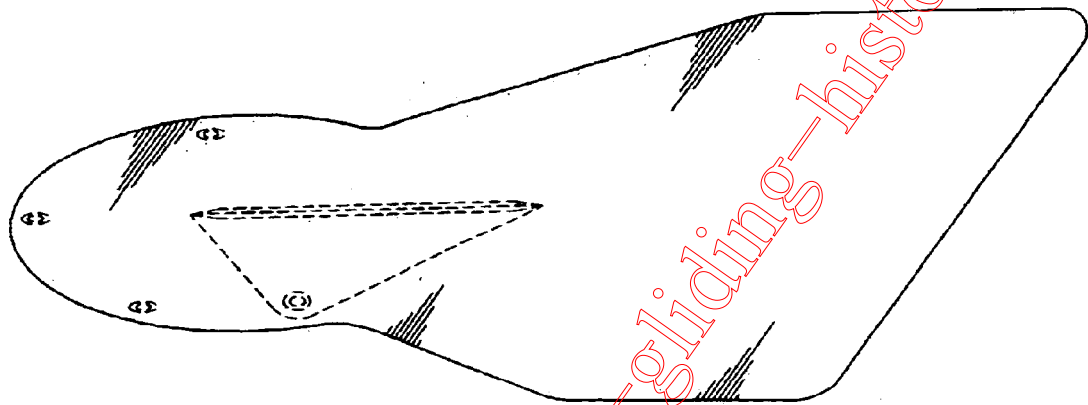
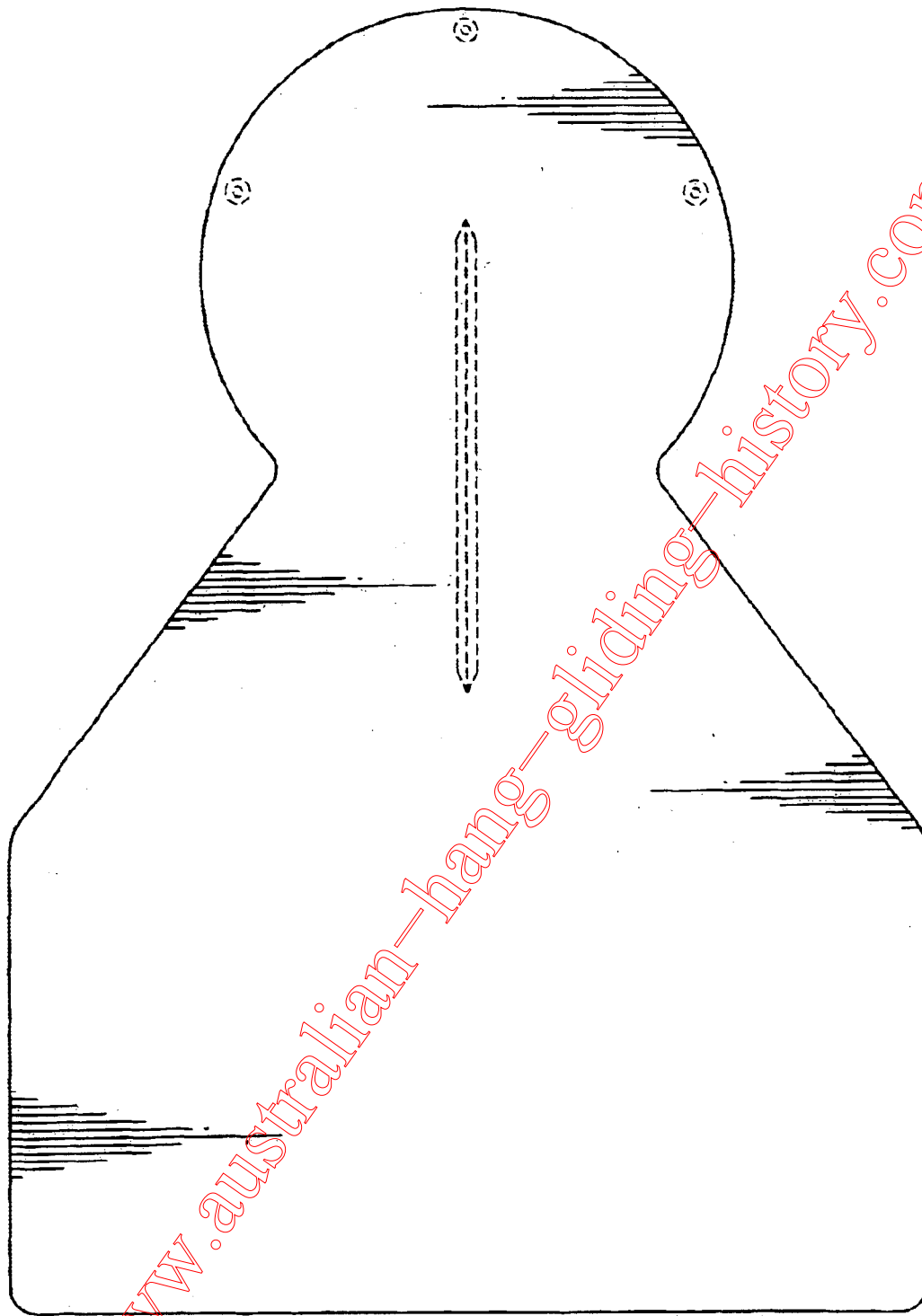


FIG. 1



www.australian-hang-gliding-history.com

FIG. 2

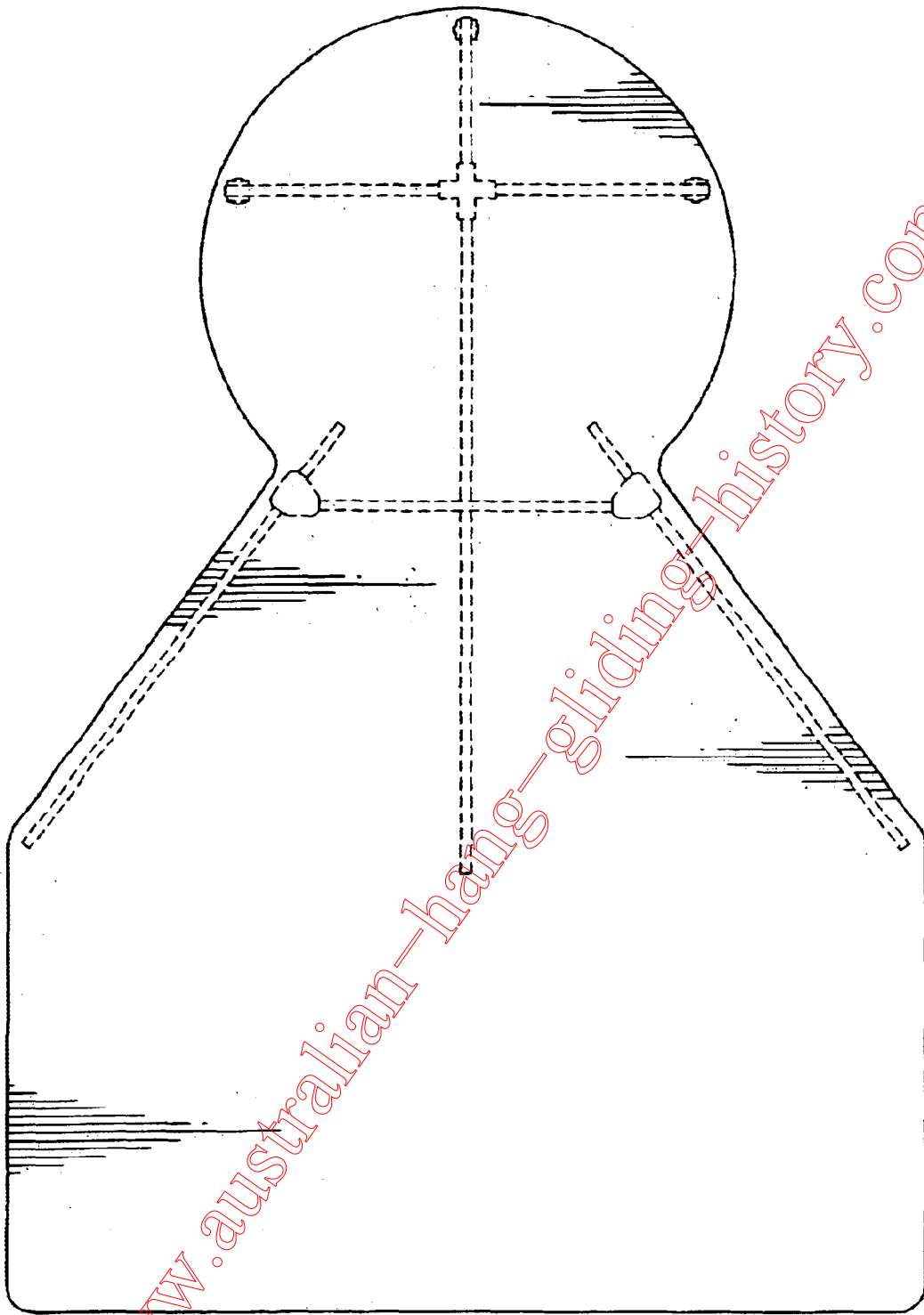


FIG. 3

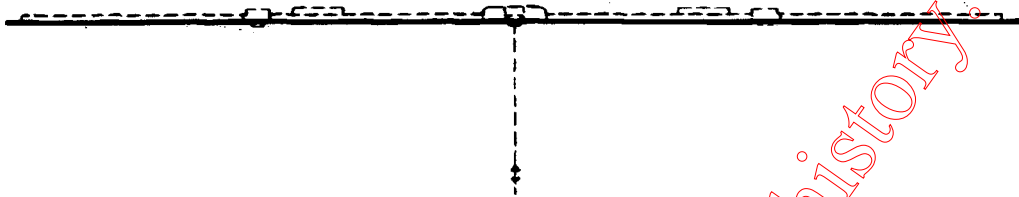


FIG. 4

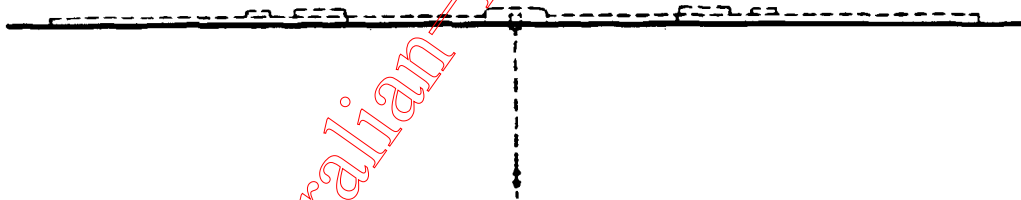


FIG. 5

www.australian-hang-gliding-history.com

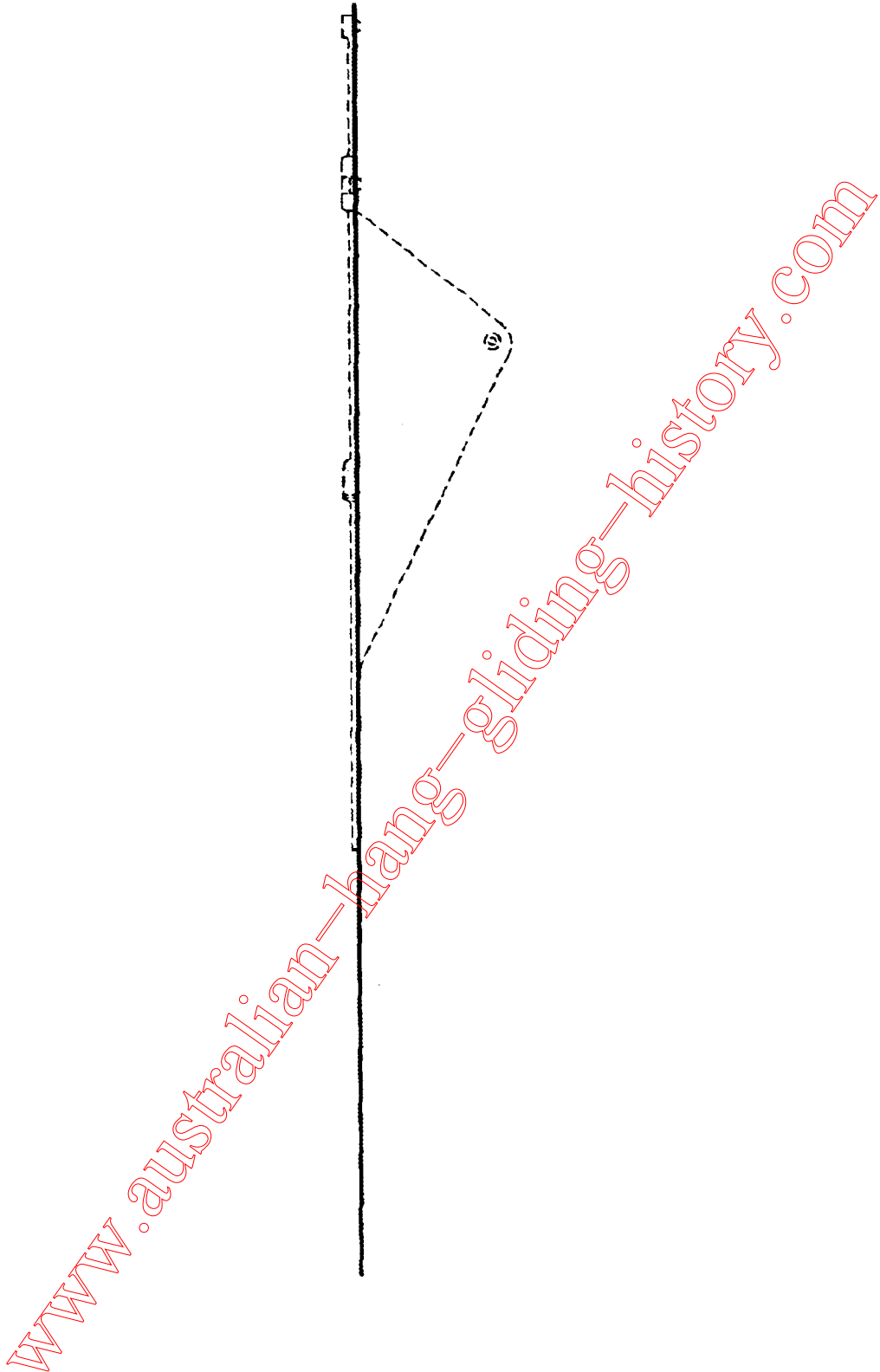


FIG. 6